

16 ROW SEATING PLAN  
SCALE: 1/8"=1'-0"

SEATING CALCULATIONS

GROSS SEATS	1,808 SEATS
SEATS	1,535 SEATS
HANDICAP	12 SEATS
TOTAL	1,547 SEATS

Revisions			
Job No. :	202-210	Drawn By:	HGK
CAD File Name:	PAGE A-18	Date:	12/07/02
Plot Scale:	96	Scale:	1/8"=1'-0"
Plot Date:	?	Approved By:	?

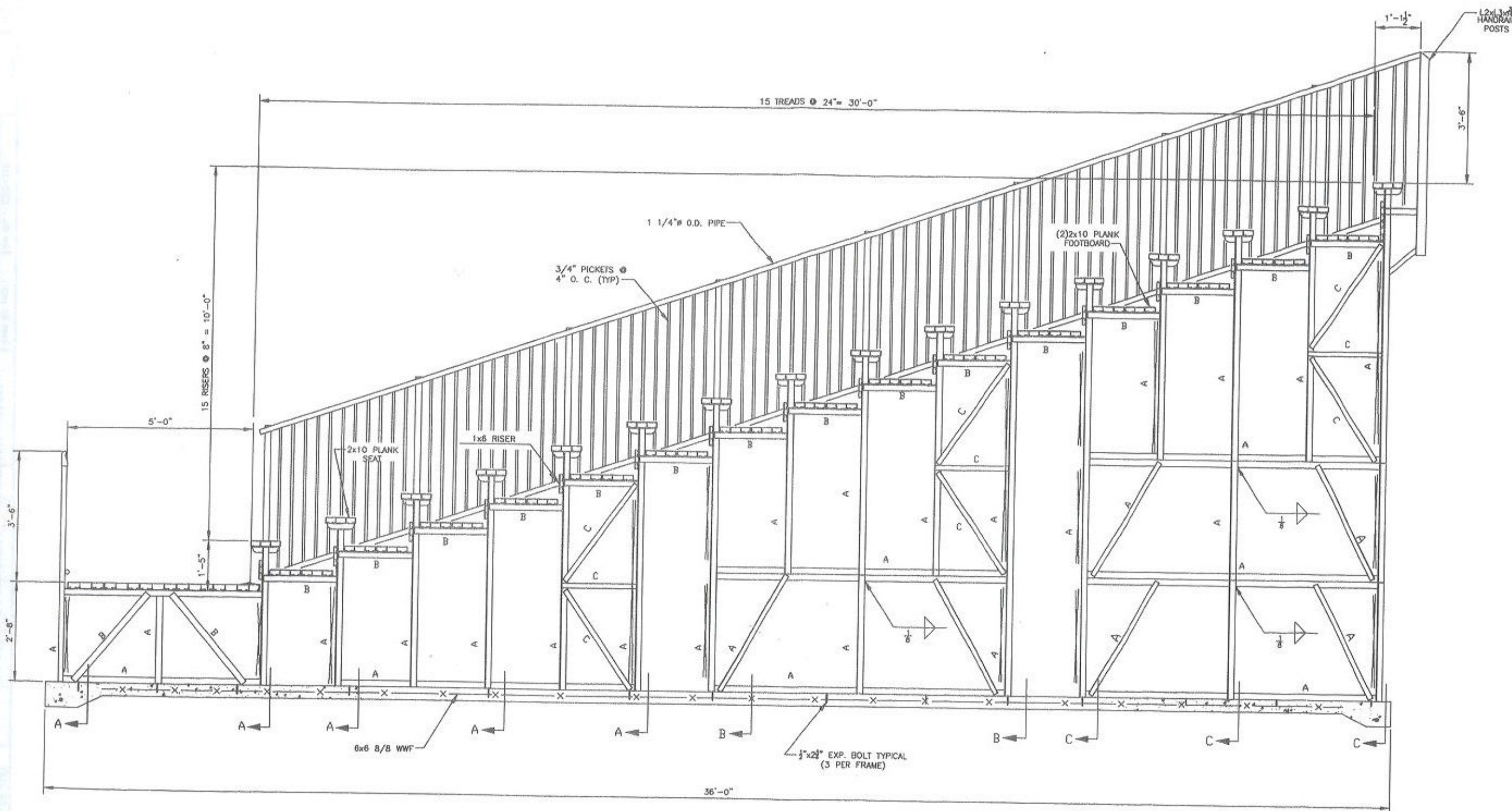
SOUTHEASTERN SEATING, INC.  
OUTDOOR BLEACHERS & GRANSTANDS  
903 EAST SEVENTEENTH AVE.  
TAMPA, FL. 33605 (800) 248-2099

TYPICAL PLANS 16 ROW  
ELEVATED PLAN VIEW



Revisions  
 Scale: 1/8"=1'-0"  
 Approved By: ?  
 Plot Date: ?

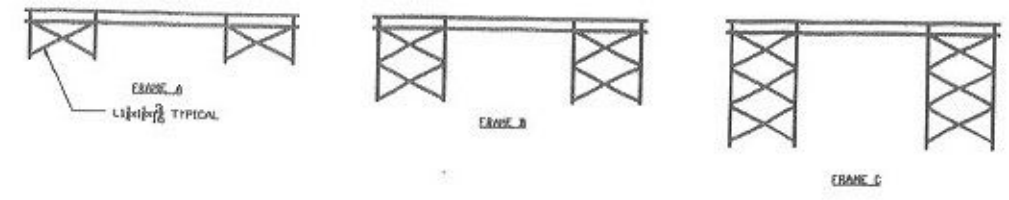
SEATERS & GRANSTANDS  
 903 EAST SEVENTEENTH AVE.  
 TAMPA, FL. 33605 (800) 248-2099



**TYPICAL FRAMING ELEVATION**  
 SCALE: 3/4"=1'-0"

**TYPICAL FRAMING ELEVATION**

- MEMBER SCHEDULE  
 A. L2x2x3/16  
 B. L1 3/4x1 3/4x3/16  
 C. L1 1/2x 1 1/2x3/16

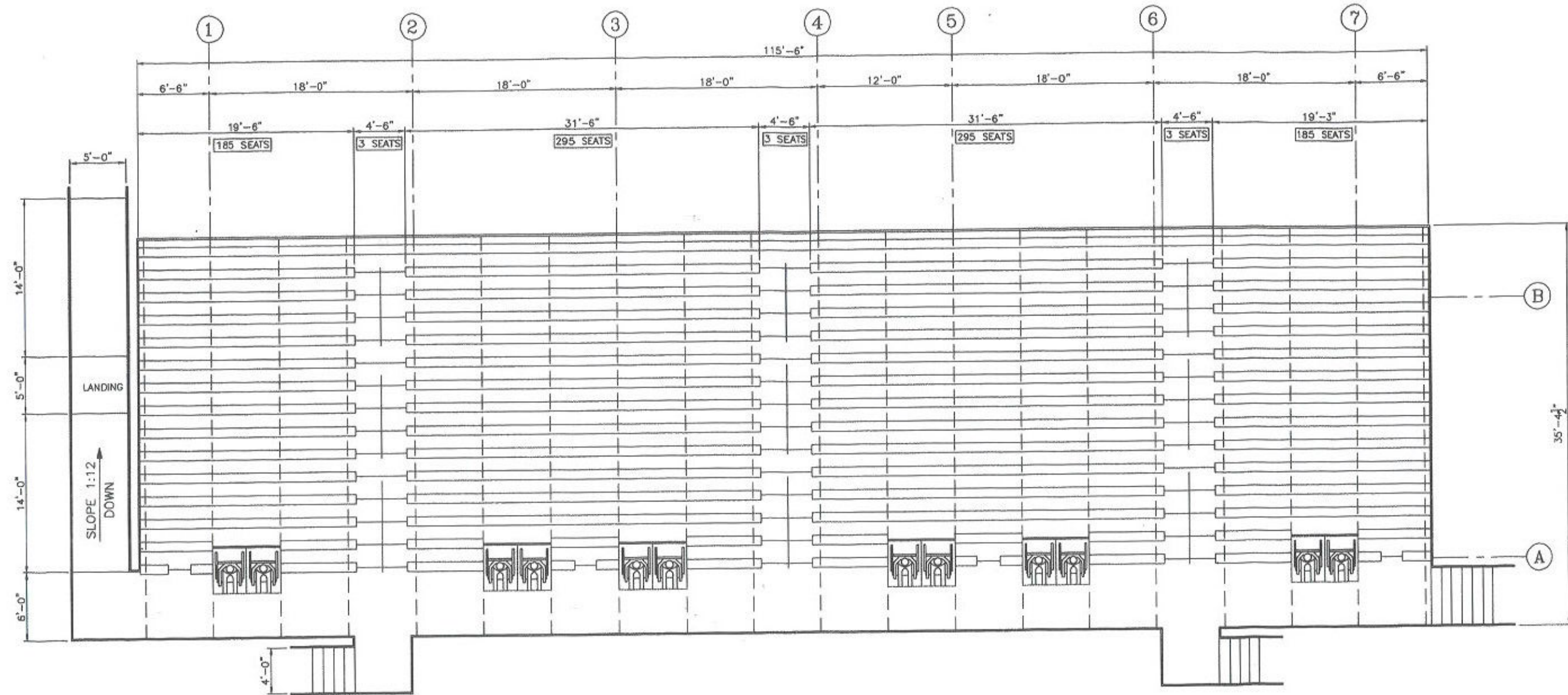


Revisions  
 SEAL  
 Job No. : 202-210  
 Date: 12/07/02  
 Scale: 3/4"=1'-0"  
 Approved By: R.D.H.  
 Drawn By: HCK  
 CAD File Name: PAGE A-19  
 Plot Scale: 16  
 Plot Date:

TYPICAL ELEVATION 16 ROW  
 ELEVATED

**SOUTHEASTERN SEATING, INC.**  
**OUTDOOR BLEACHERS & GRANSTANDS**  
 903 EAST SEVENTEENTH AVE.  
 TAMPA, FL. 33605 (800) 248-2099





**SEATING PLAN**  
SCALE: 3/16"=1'-0"

SEATING CAPACITY

NET BENCH SEATING	969
WHEEL CHAIR SPACES	12
COMPANION	12
TOTAL SEATING	993

SEAL

Revisions

Job No.: 202-210  
CAD File Name: PAGE 1-1  
Plot Scale: 64

Drawn By: HGK  
Date: 10/24/02  
Scale: 3/16"=1'-0"

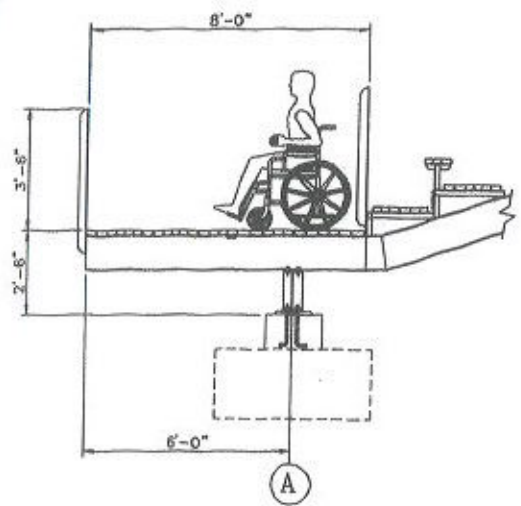
**SOUTHEASTERN SEATING, INC.**  
903 EAST SEVENTEENTH AVE.  
TAMPA, FLORIDA

TYPICAL ELEVATION 15 ROW (1-BEAM)  
OPEN DECK

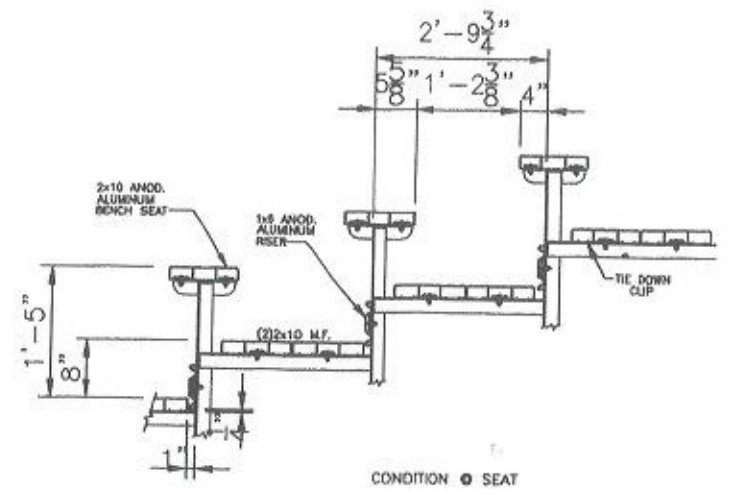
1

Revisions  
 CAD File Name: PAGE 1-1  
 Scale: 3/16"=1'-0"  
 Plot Scale: 64  
 Plot Date: ?  
 Approved By: R.D.H.

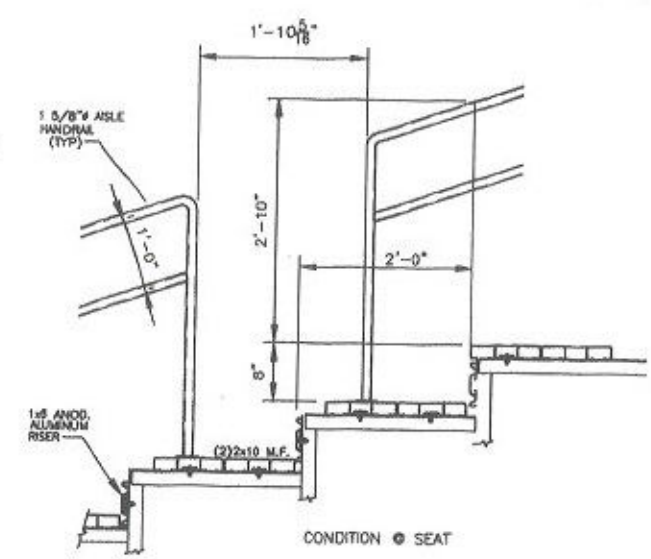
TAMPA, FLORIDA  
 (800) 248-2099



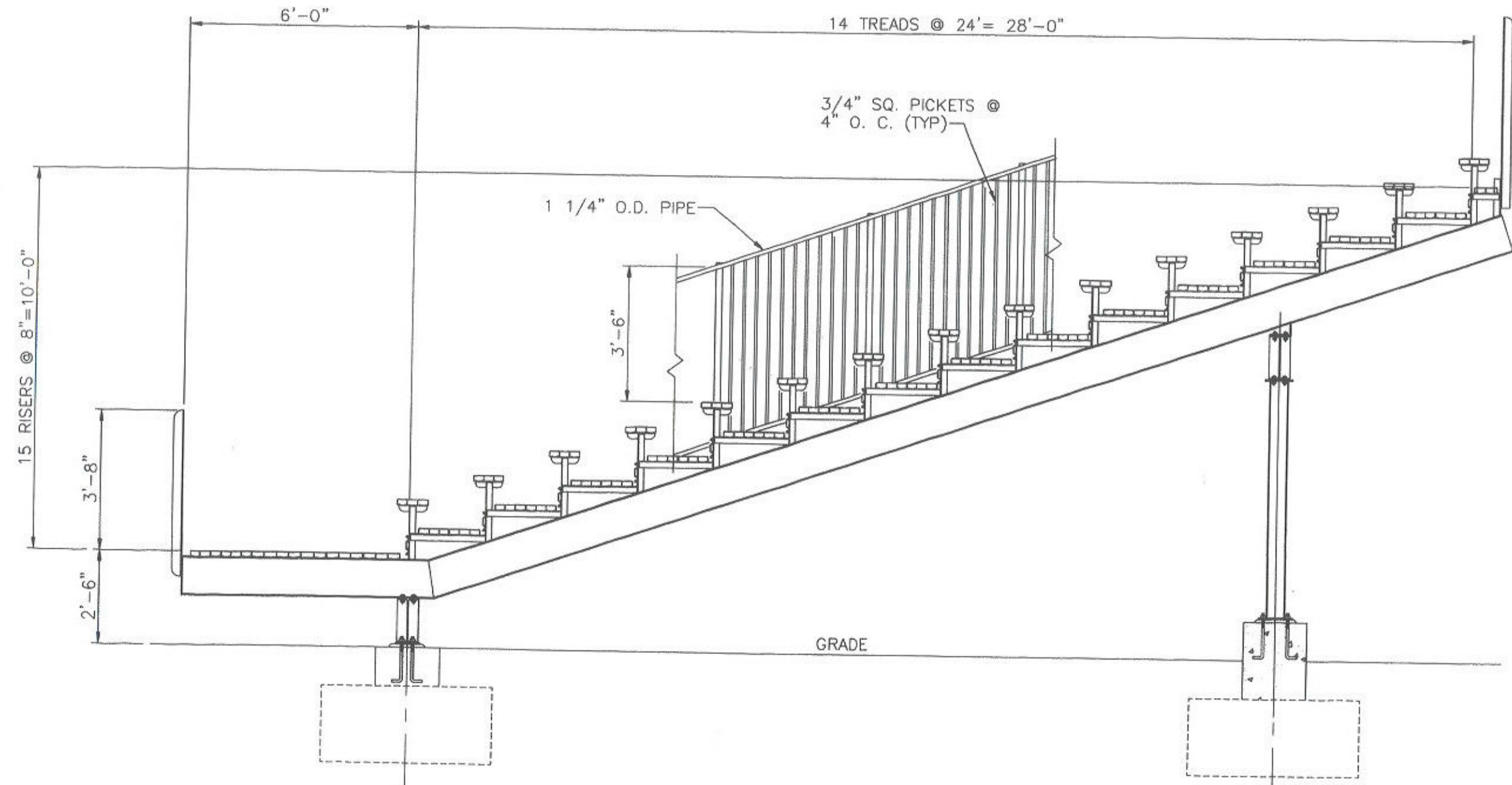
TYPICAL SECTION THRU WC AREA  
 SCALE: N.T.S.



CONDITION ● SEAT



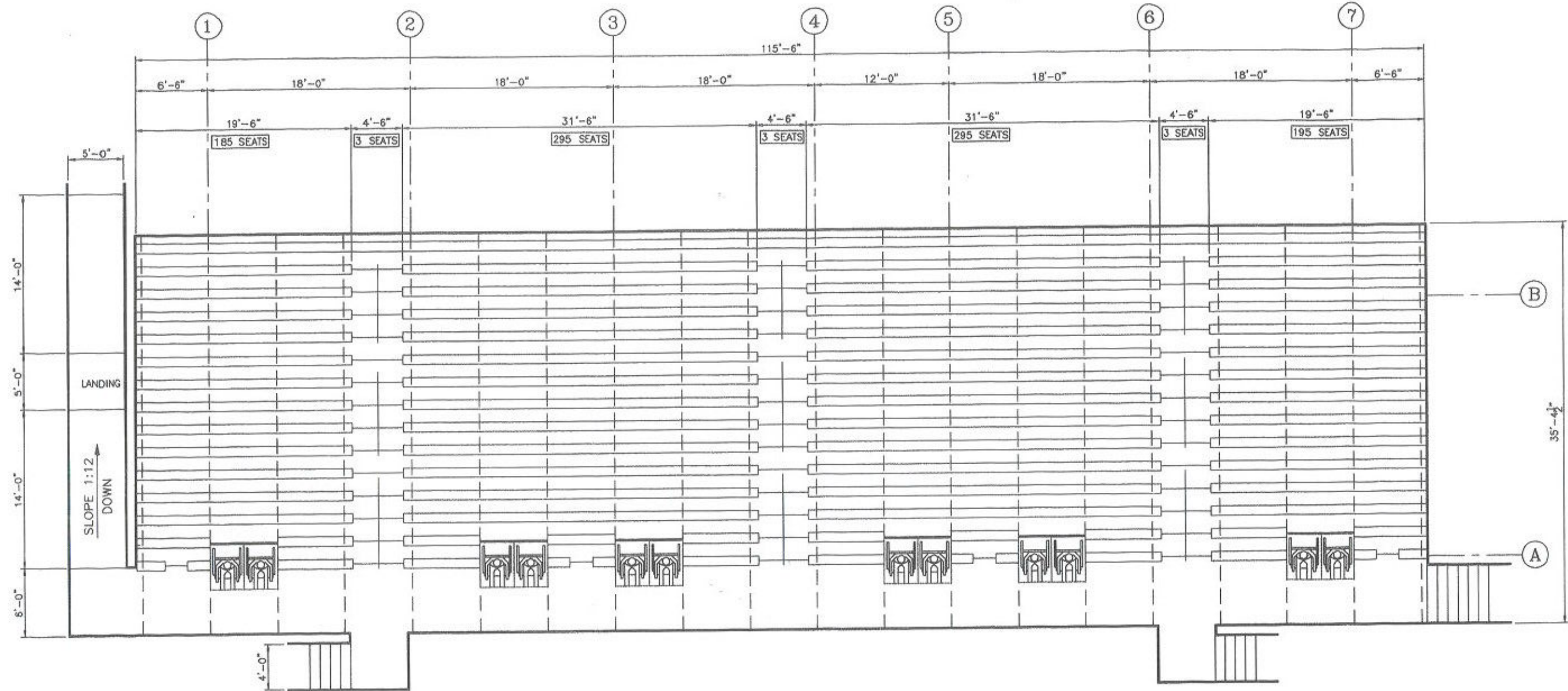
CONDITION ● SEAT



TYPICAL SECTION THRU GRANDSTAND  
 SCALE: 3/8"=1'-0"

Revisions	
Drawn By: HGK	Job No.: 202-210
Date: 12/07/02	CAD File Name: PAGE 1-2
Scale: 3/8"=1'-0"	Plot Scale: 32
Approved By: ?	Plot Date: ?
<b>SOUTHEASTERN SEATING, INC.</b> 903 EAST SEVENTEEN AVE. TAMPA, FLORIDA (800) 248-2099	
15 ROW ELEVATED - OPEN DECK	





SEAL

Revisions

Job No. : 202-210  
CAD File Name: PAGE 1-3  
Date: 12/07/02  
Scale: 3/16"=1'-0"  
Drawn By: HGK  
Date: 12/07/02  
Plot Scale: 64  
Approved By: R.D.H.  
Plot Date: ?

**SOUTHEASTERN SEATING, INC.**  
908 EAST SEVENTENTH AVE.  
TAMPA, FLORIDA  
(800) 248-2099

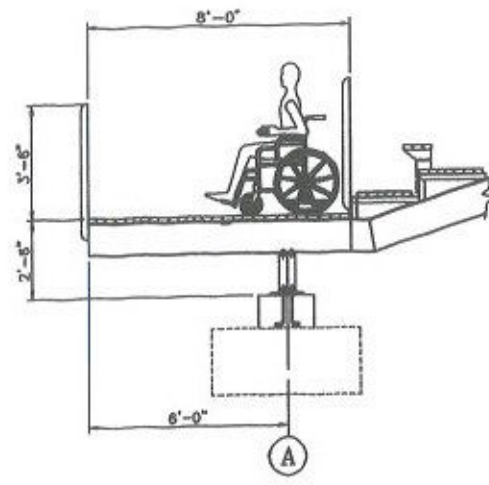
TYPICAL PLANS 15 ROW (1-BEAM)  
ELEVATED  
CLOSED DECK

3

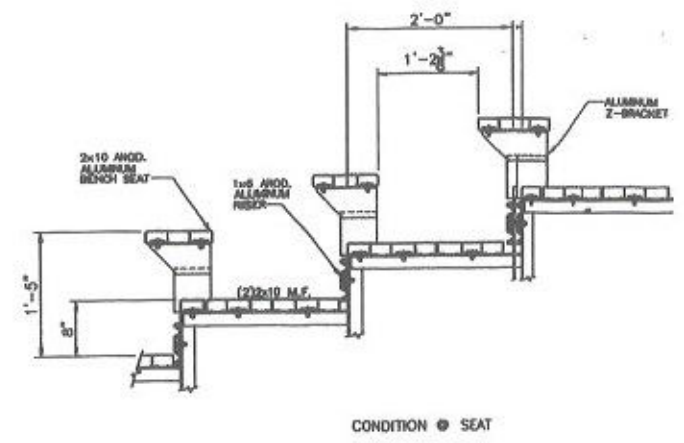
Revisions  
 Date: 12/07/02  
 Scale: 3/16"=1'-0"  
 Approved By: R.D.H.  
 CAD File Name: PAGE 1-3  
 Plot Scale: 64  
 Plot Date: ?

903 EAST SEVENTEENTH AVE.  
 TAMPA, FLORIDA  
 (800) 248-2099

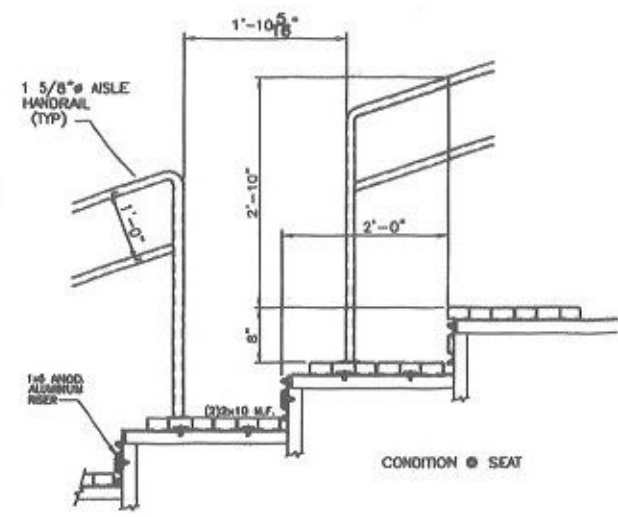
CLOSED DECK  
 ?  
 3



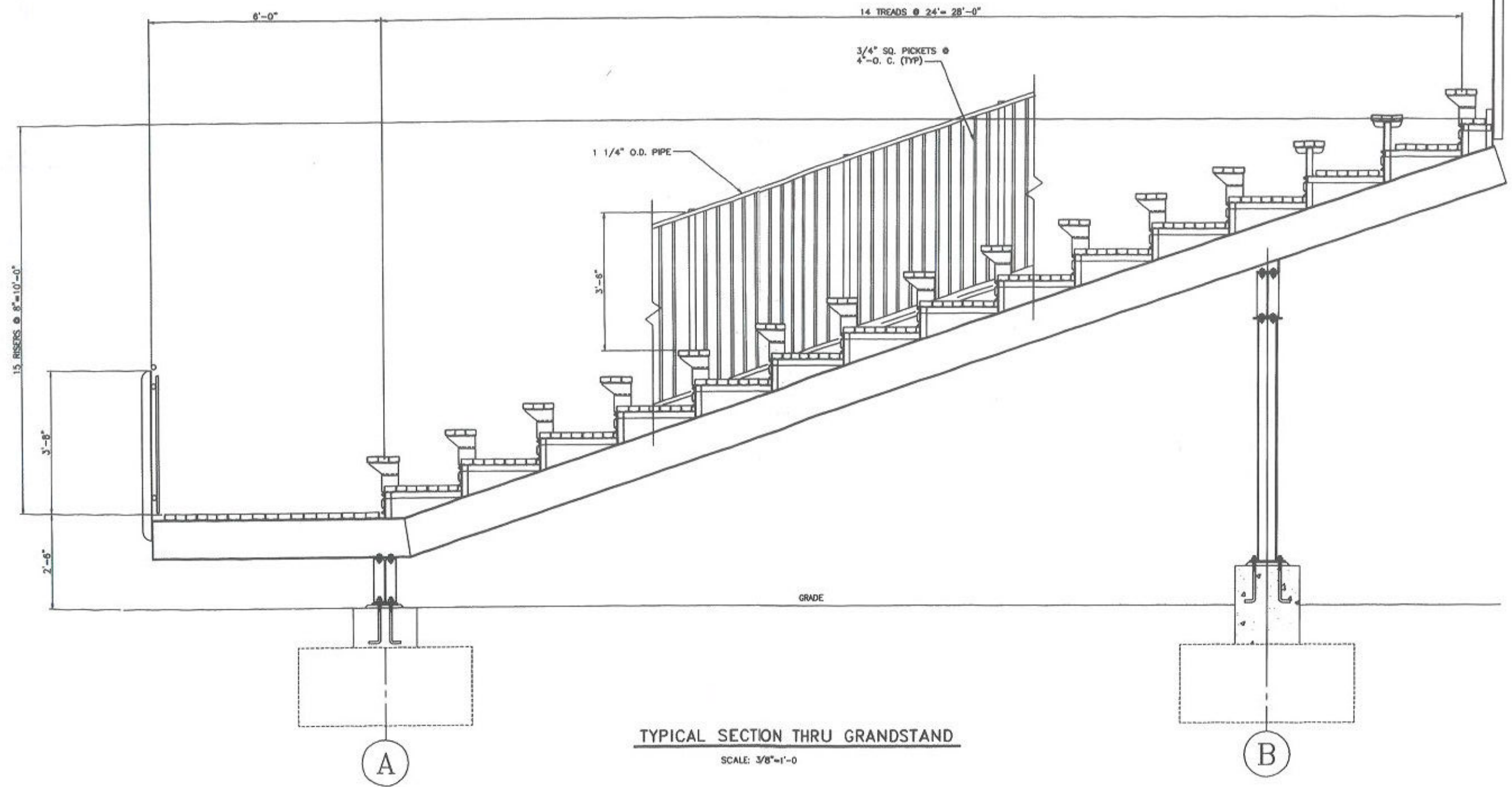
TYPICAL SECTION THRU WC AREA  
 SCALE: N.T.S.



CONDITION @ SEAT



CONDITION @ SEAT



TYPICAL SECTION THRU GRANDSTAND

SCALE: 3/8"=1'-0"

Job No. : 202-210	Drawn By: HGK	Approved By: ?
CAD File Name: PAGE 1-4	Date: 10/25/02	Scale: 3/8"=1'-0"
Plot Scale: 32	Scale: 3/8"=1'-0"	Approved By: ?
Plot Date: ?	Scale: 3/8"=1'-0"	Approved By: ?
<b>SOUTHEASTERN SEATING, INC.</b>		
903 EAST SEVENTEEN AVE. TAMPA, FLORIDA (800) 248-2099		
15 ROW ELEVATED - CLOSED DECK	?	?
?	?	?
1		